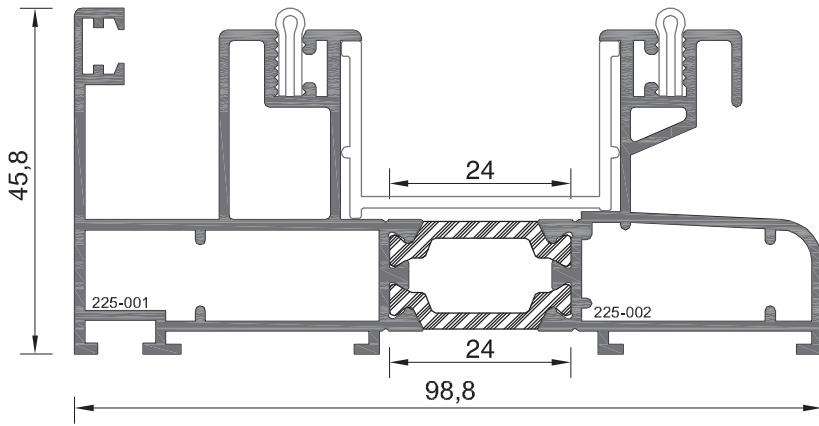


# Alumin termik me rreshqitje



Double Frame

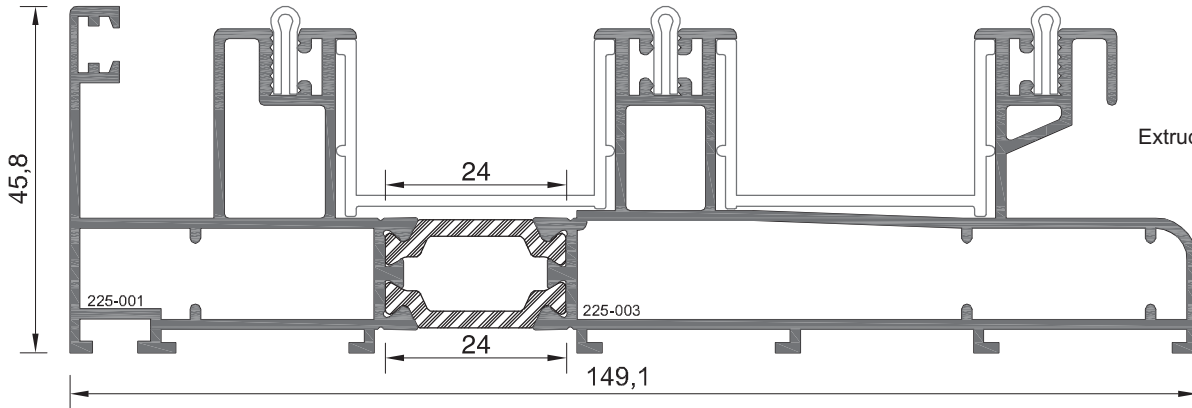
**225-02**

Weight

1874 gr/m

Extruded aluminium joint corner

7018



Triple Frame

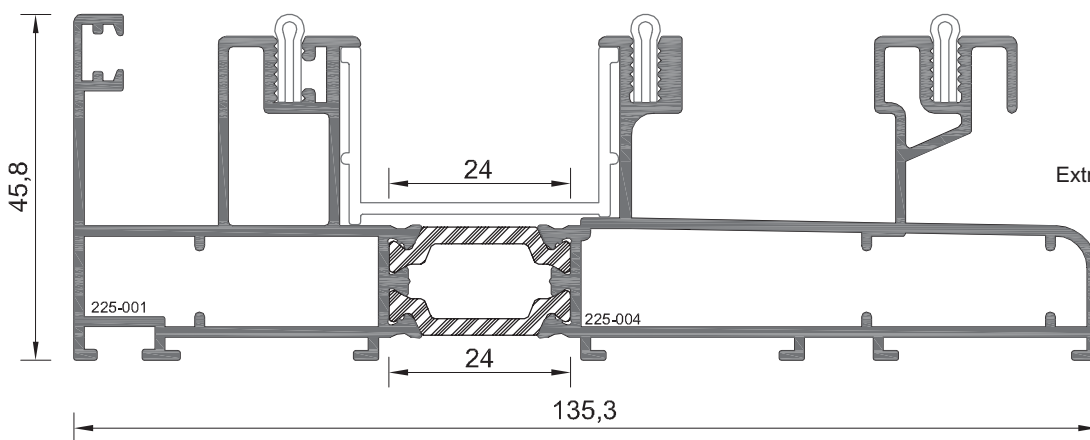
**225-03**

Weight

2570 gr/m

Extruded aluminium joint corner

7018



Triple Frame (Mosquito-net centered)

**225-04**

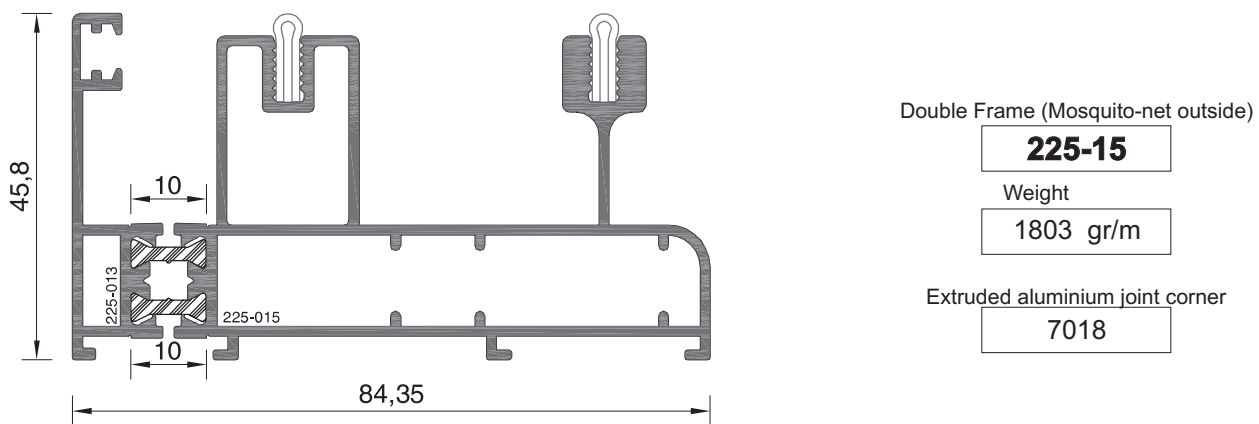
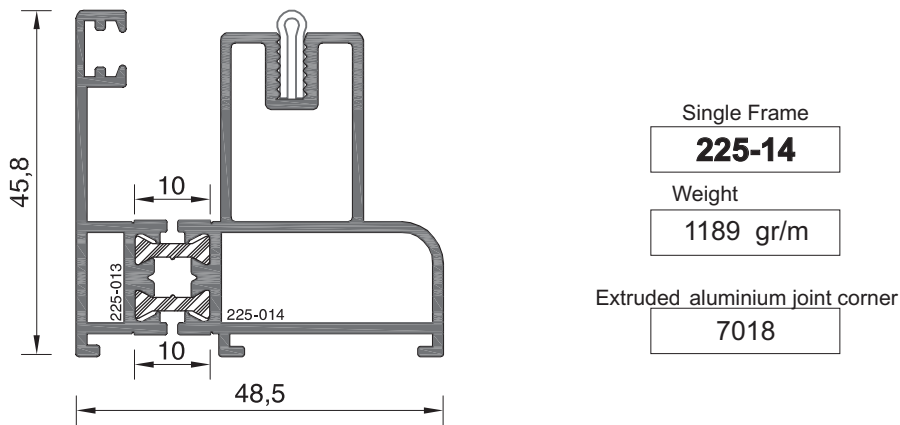
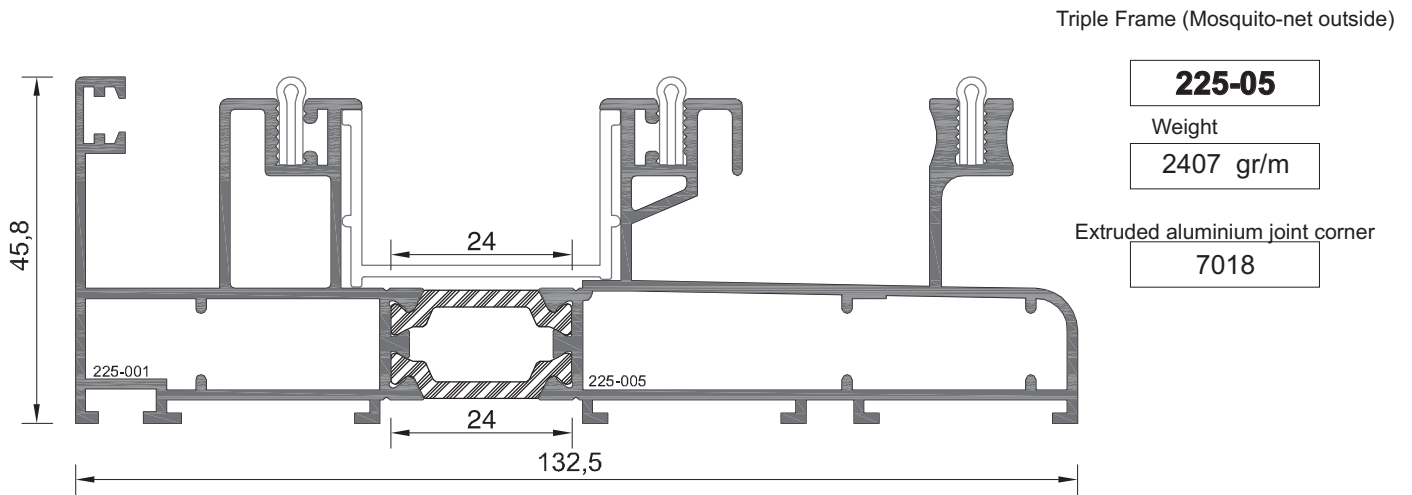
Weight

2376 gr/m

Extruded aluminium joint corner

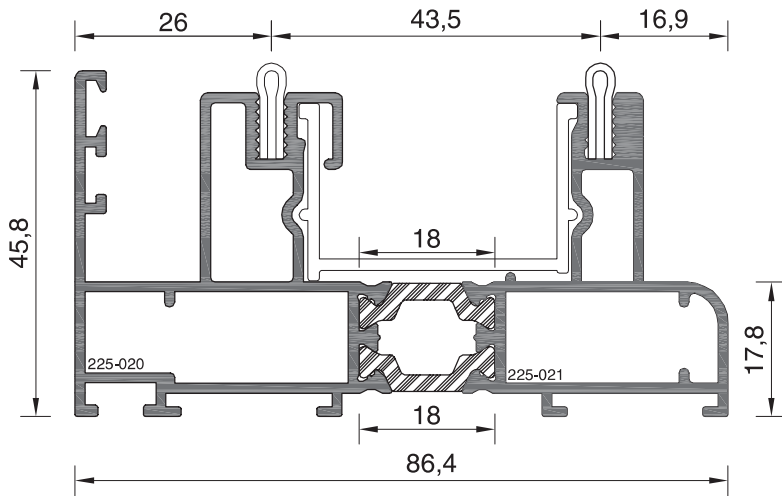
7018

# Alumin termik me rreshqitje



# Alumin termik me rreshqitje

## FRAME FOR REPLACEMENT



Double Frame (Glazing & shutter profile or mosquito-net profile)

**225-21**

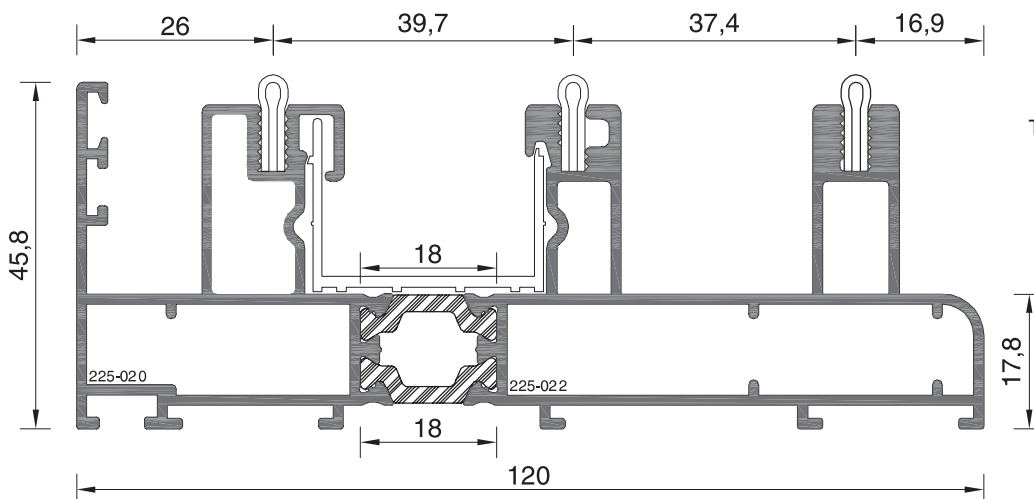
Weight

1768 gr/m

Extruded aluminium joint corner

7018

## FRAME FOR REPLACEMENT



Triple Frame (Mosquito-net centered)

**225-22**

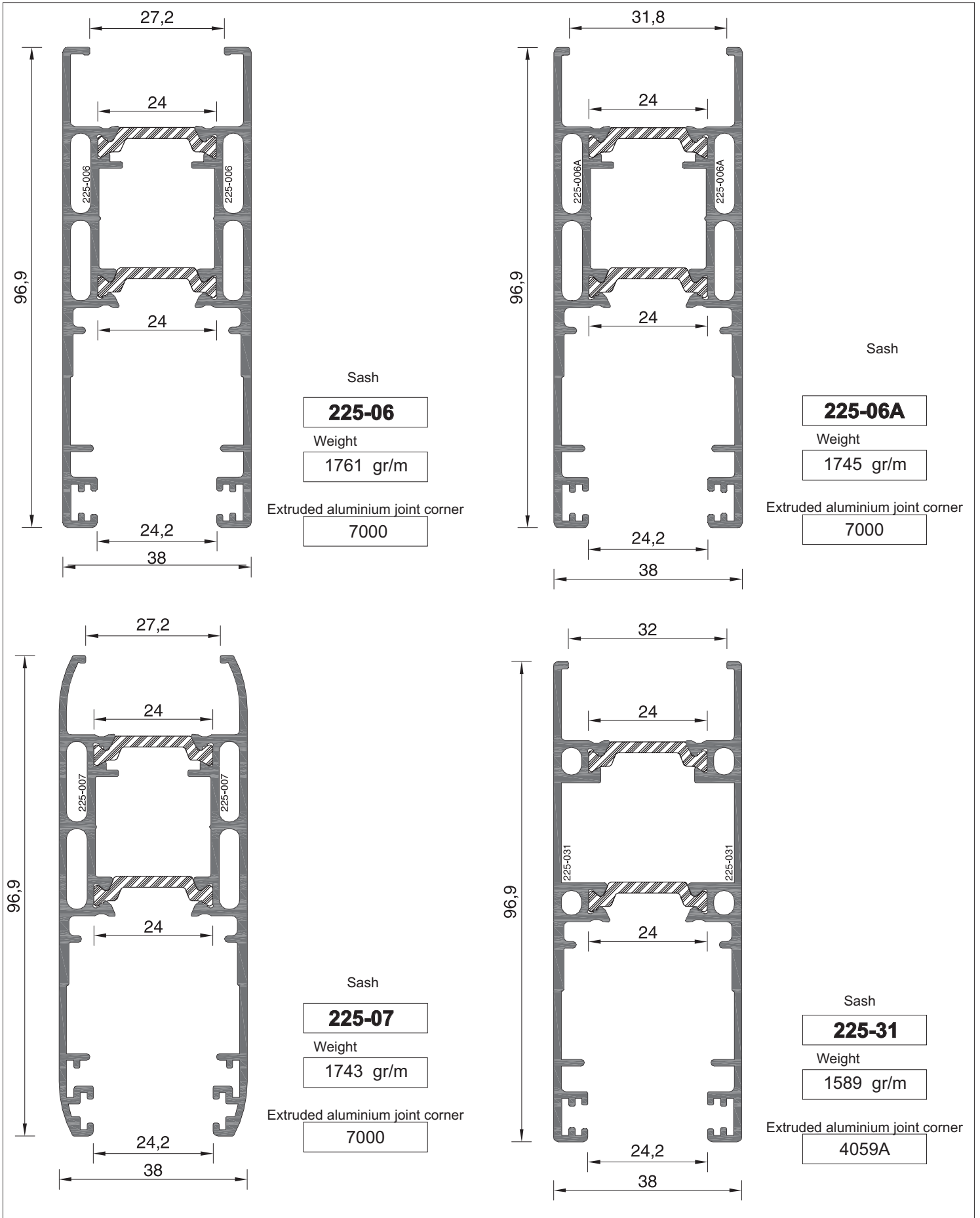
Weight

2389 gr/m

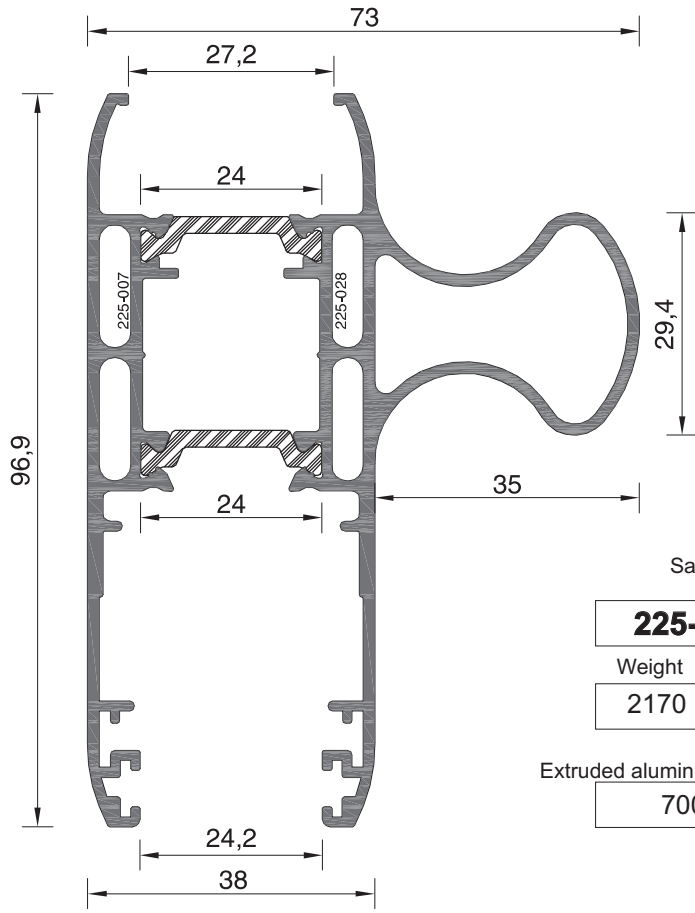
Extruded aluminium joint corner

7018

# Alumin termik me rreshqitje



# Alumin termik me rreshqitje



Sash

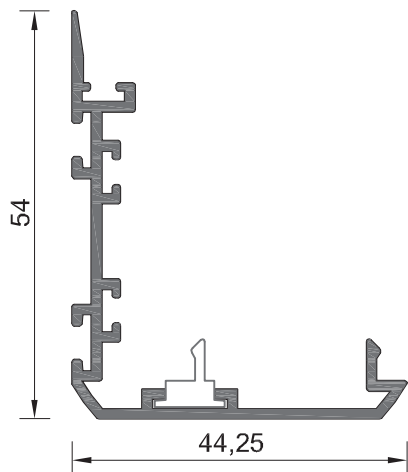
**225-28**

Weight

2170 gr/m

Extruded aluminium joint corner

7000

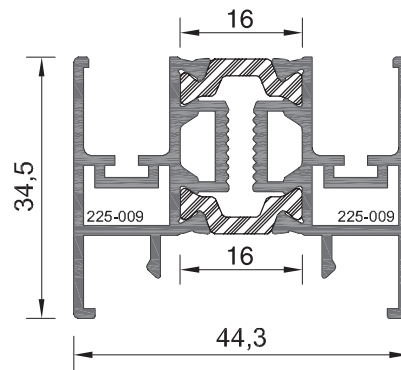


Hook

**225-008**

Weight

533 gr/m



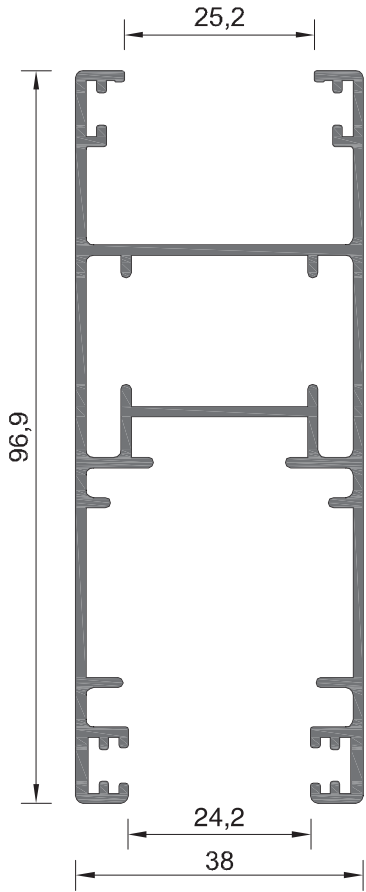
Adjoining profile

**225-09**

Weight

1088 gr/m

# Alumin termik me rreshqitje



Shutter profiles

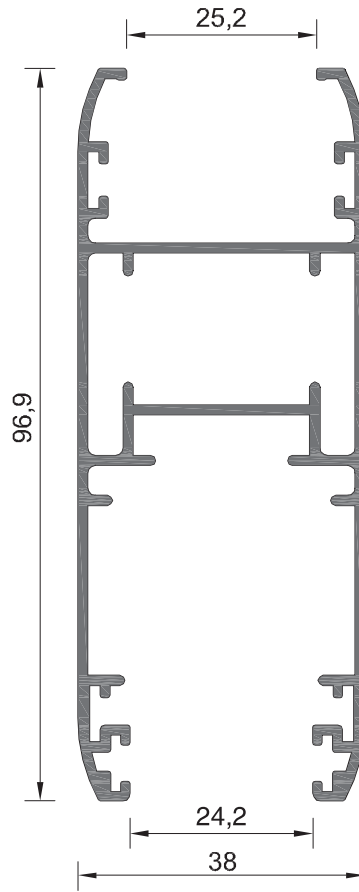
**225-010**

Weight

1299 gr/m

Extruded aluminium joint corner

7000



Shutter profiles

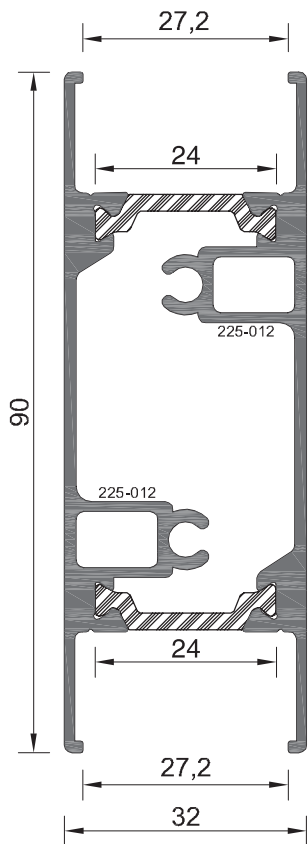
**225-011**

Weight

1306 gr/m

Extruded aluminium joint corner

7000

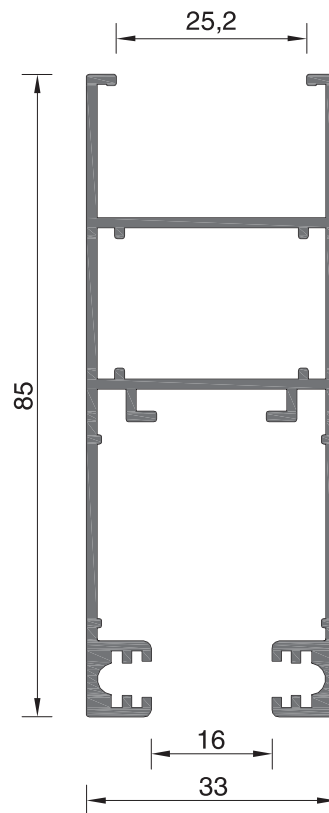


Partition profile

**225-12**

Weight

1598 gr/m



Shutter profiles

**205-046**

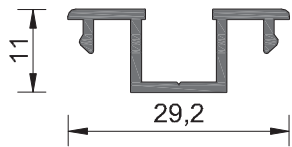
Weight

1085 gr/m

Extruded aluminium joint corner

7000

# Alumin termik me rreshqitje

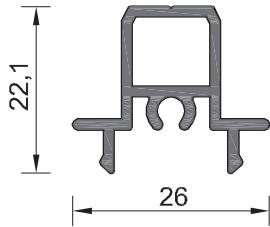


Louvre receiver

**205-014**

Weight

205 gr/m

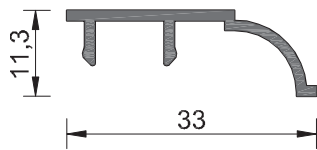


Adjoining mosquito-net

**210-013**

Weight

303 gr/m

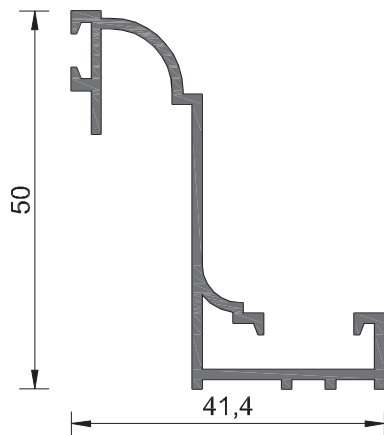


Clip for the cover gap

**205-013**

Weight

179 gr/m

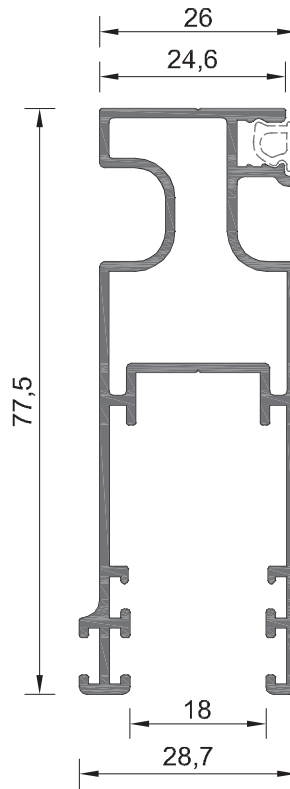


Cover gap for built-in window

**205-036**

Weight

463 gr/m



Sash profile for mosquito-net

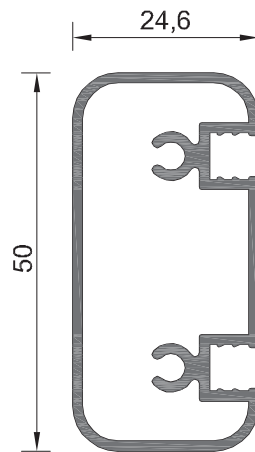
**225-026**

BAPOΣ / Weight

929 gr/m

Extruded aluminium joint corner

7018



Partition profile for mosquito-net

**210-012**

Weight

678 gr/m

Additional part for 2-point & 3-point locking mechanism

**215-022**

Weight

219 gr/m

